



KROWNLAB

PDX - ORE

available through :



BUILDING HARDWARE

+1-888-636-1627

BetterBuildingHardware.com

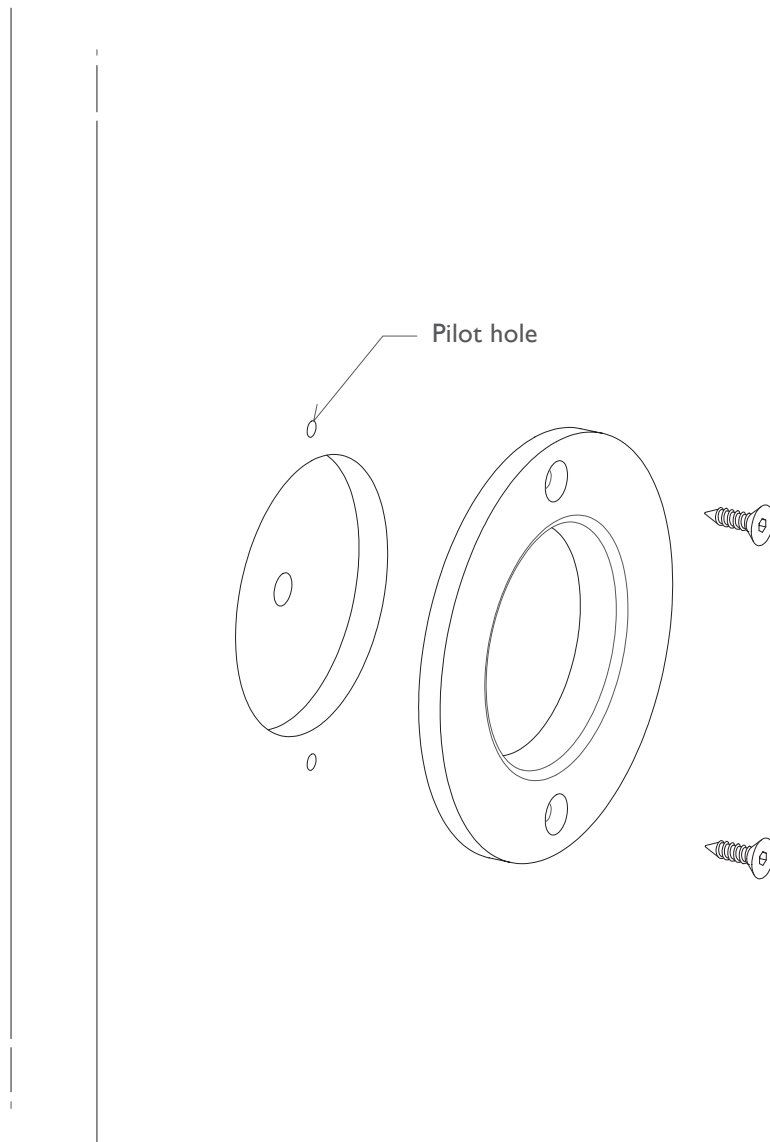
empowered by **index-d**

Sliding Door Hardware
Installation Instructions

Ebba

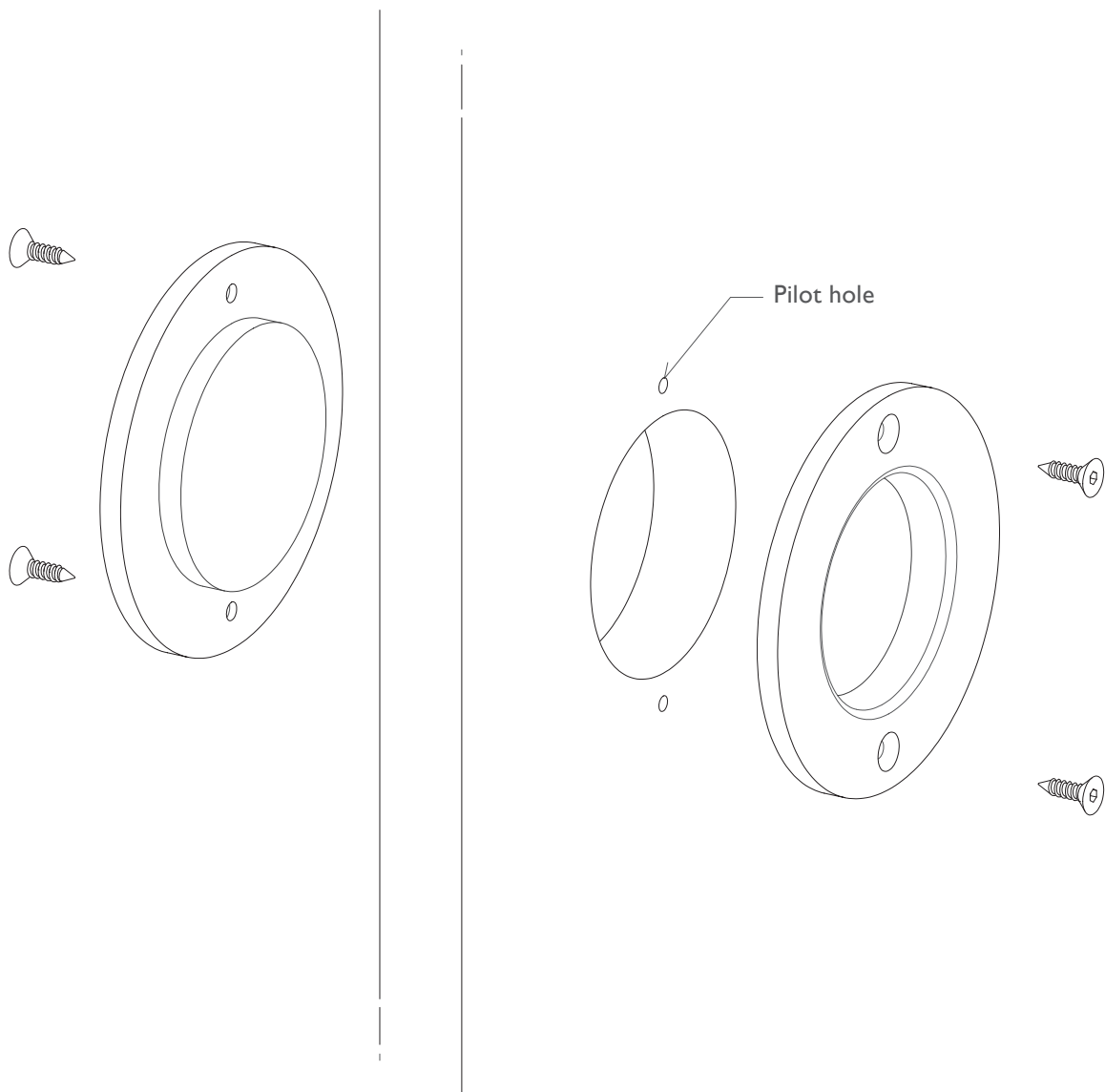
Single sided Closed

- ① Drill a 2-1/8" diameter hole in desired location. (Minimum depth is 1/4")
- ② Drill pilot holes for screws.
- ③ Install Ebba as shown below.



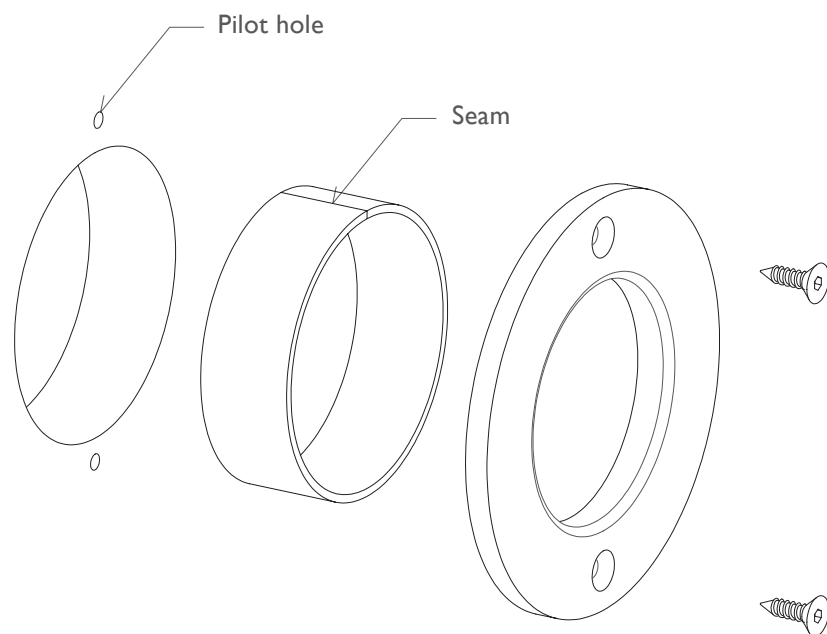
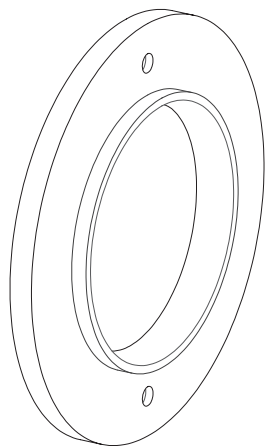
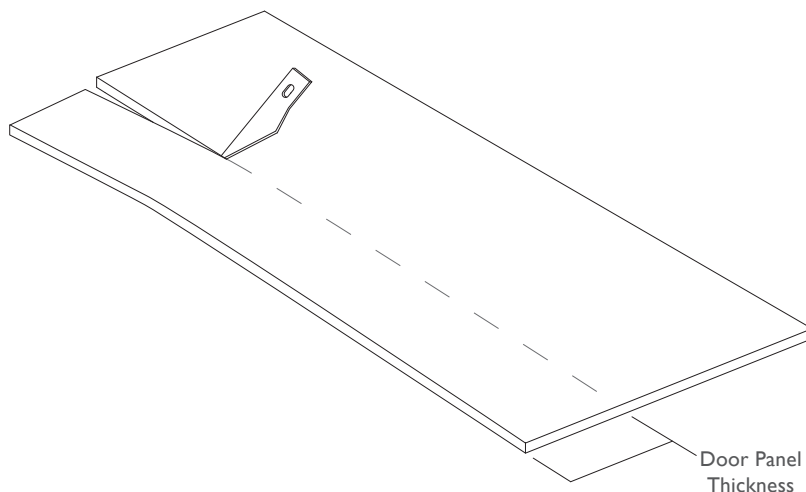
Double sided Closed

- ① Drill a 2-1/8" diameter hole through panel in desired location. (Minimum panel thickness is 3/4")
- ② Drill pilot holes for screws.
- ③ Install Ebba as shown below.



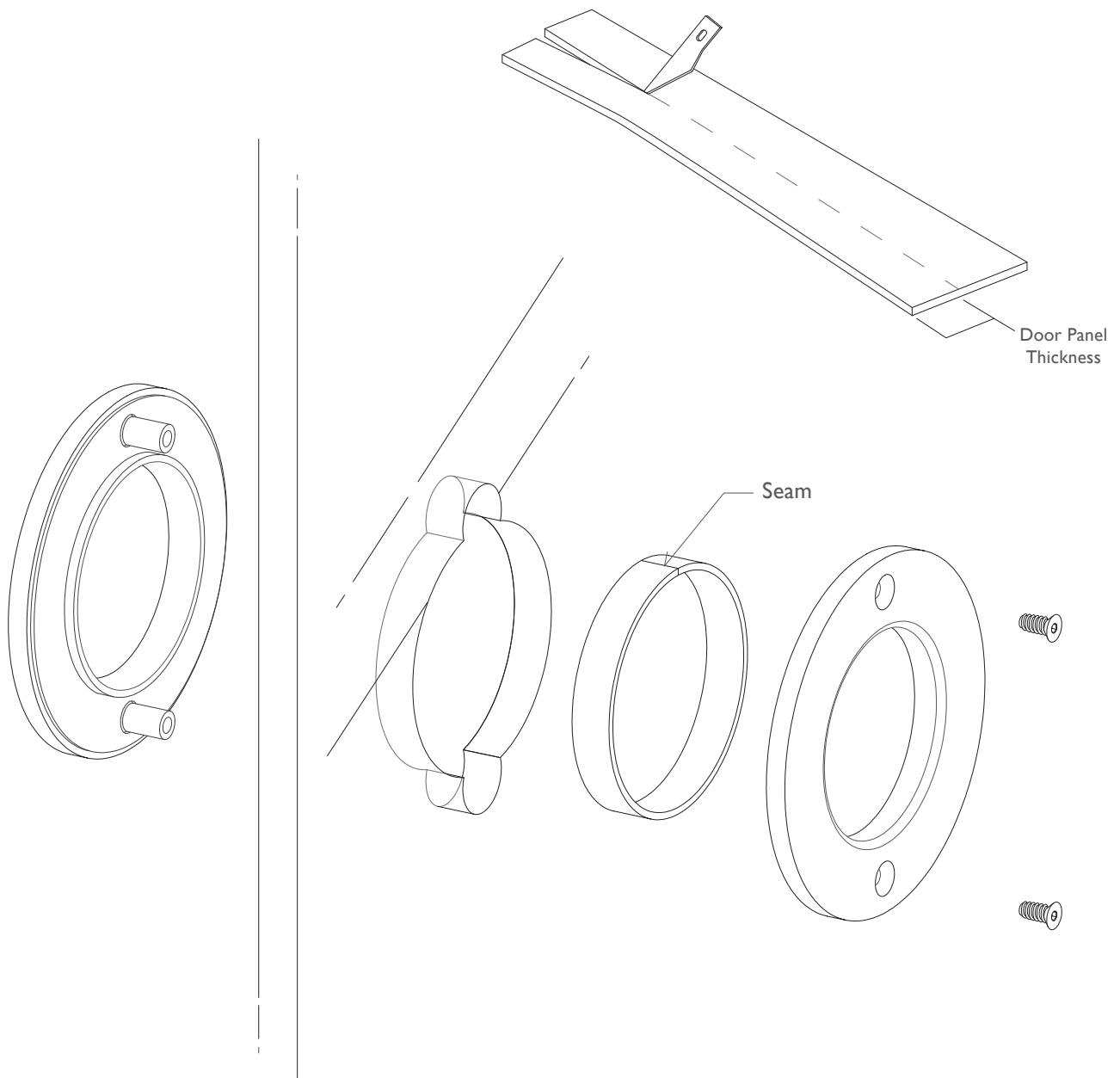
Double sided Open

- ① Drill a 2-1/4" diameter hole through panel in desired location.
- ② Measure and cut the provided rubber insert to match thickness of door panel.
- ③ Install rubber insert inside of hole with seam facing up.
- ④ Drill pilot holes for screws.
- ⑤ Install Ebba as shown below.



Double sided Open

- ① Reference the Glass Panel Specification document to confirm drill hole locations.
- ② Measure and cut the provided rubber insert to match thickness of door panel.
- ③ Install rubber insert inside of hole with seam facing up.
- ④ Install screws with included wrench, match screw length with panel thickness.
- ⑤ Install Ebba as shown below.



Double sided Closed

- ① Reference the Glass Panel Specification document to confirm drill hole locations.
- ② Measure and cut the provided rubber insert to match thickness of door panel.
- ③ Install rubber insert inside of hole.
- ④ Install screws with included wrench, match screw length with panel thickness.
- ⑤ Install Ebba as shown below.

