



AXEL

FACE MOUNT

Our simple, rugged interpretation of the original flat track sliding barn door hardware system. Featuring a field-customizable track and solid steel construction, Axel brings durability and beauty to a wide range of projects.

UNIQUE FEATURES

- Exposed 2-3/4" bearings
- Cut and drill track in field with commonly available tools (Raw and Black Steel Only)
- Completely customizable door travel
- Made in USA

TRACK

- 70", 94", and 116"
- Mix and match stock track lengths for installations where longer track is needed
- Predrilled or undrilled

COMPATIBLE WALL TYPES

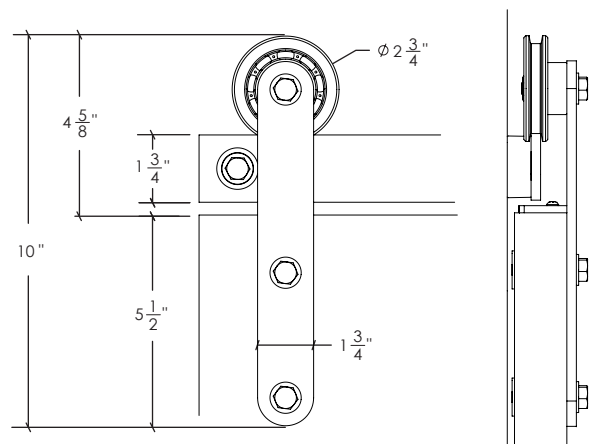
- Framed Wood Wall (blocking required)
- Concrete
- Steel Beam

OPTIONAL ACCESSORIES

- Door Pulls
- Drywall Inserts
- Shim Kits
- Bottom Stop
- Bottom Guide Channel
- Floating Door Stop

TECHNICAL DETAILS

- Below ADA requirement for pull force at full weight
- Panel thickness: 3/4" to 2" (contact us for panels outside this range)
- 10 year warranty



QUICK LOOK

FINISH OPTIONS



Raw Steel

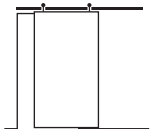


Black Steel

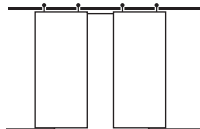


Brushed Stainless

CONFIGURATIONS



Single



Bi-Parting

WEIGHT CAPACITY

200lb (contact us if your door panel is heavier)

VOLUME PRICING

Available for orders over 10 units

ORDERING

available through :

better
BUILDING HARDWARE

+1-888-636-1627

BetterBuildingHardware.com

empowered by **index-d**

MORE INFORMATION

For all spec sheets visit:
www.krownlab.com/axel